

# BSM ROTARY GEAR PUMPS

## 700-SERIES



FLG. MTD. PUMP



PUMP FOOT

The BSM 700-Series pumps are designed to provide quiet and efficient service at standard motor speeds, high pressures. Typical applications are hydraulic and metering service.

**Design:** Drive speeds to 1725 rpm; discharge pressures to 2000 psi; flow rate to 5.0 gpm; foot or flange mounted.

**Material:** Cast Iron casings with precision machined, heat treated steel gears and case hardened steel shafts. Pumps are also available in Ductile Iron.

**Bearings:** Anti-friction needle bearings.

**Seal:** Lip Seal.

**Lubrication:** Self lubricating using the pumped liquid.

**Rotation:** Clockwise or counter-clockwise. Specify at time of order.

**Liquid Viscosities:** 100 ssu to 1000 ssu recommended. Clean liquids having good lubricating qualities.

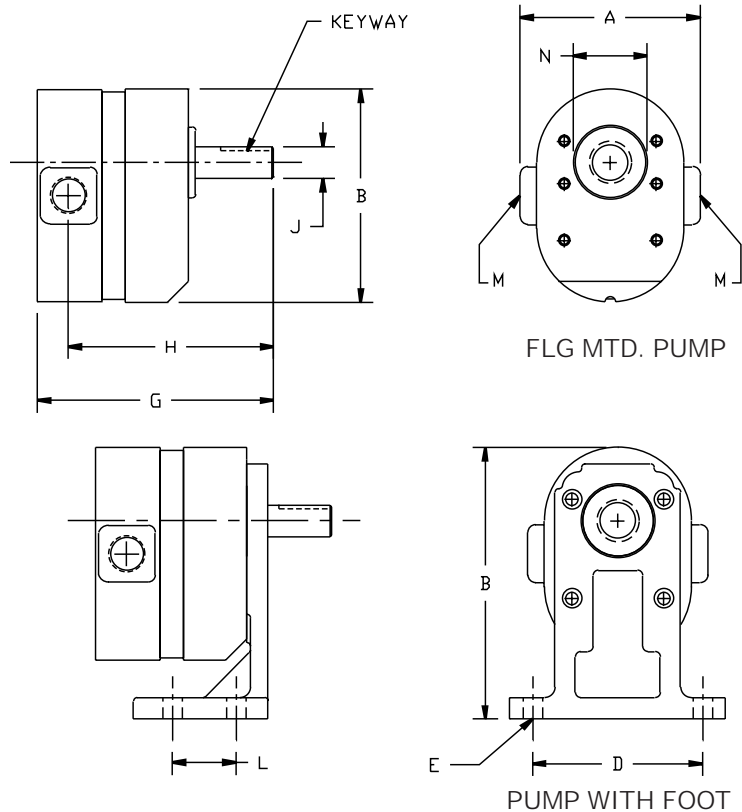
**Suction Lift:** Up to 28" Hg / 31 feet depending on the type of liquid being pumped.

**Drive Options:** A-Drive (pump connected to C-Face motor with adapter bracket and coupling).

**Accessories:** Bearing Kit, and Seal. Refer to Section 13.

# BSM ROTARY GEAR PUMPS

## DIMENSIONAL DATA 700-SERIES



### DIMENSIONS (INCHES)

Model	A	B	D	E	G	H	J	L	M	N	Keyway
705	3.19	4.81	3.00	11/32	3.84	3.27	0.56	1.13	3/8 NPT	1.25	1/8 x 1/16 x 7/8
710	3.19	4.81	3.00	11/32	3.95	3.38	0.56	1.13	3/8 NPT	1.25	1/8 x 1/16 x 7/8
715	3.19	4.81	3.00	11/32	4.05	3.47	0.56	1.13	3/8 NPT	1.25	1/8 x 1/16 x 7/8
720	3.19	4.81	3.00	11/32	4.14	3.56	0.56	1.13	3/8 NPT	1.25	1/8 x 1/16 x 7/8
730	3.19	4.81	3.00	11/32	4.34	3.77	0.56	1.13	3/8 NPT	1.25	1/8 x 1/16 x 7/8
740	3.19	4.81	3.00	11/32	4.55	3.97	0.56	1.13	3/8 NPT	1.25	1/8 x 1/16 x 7/8
750	3.19	4.81	3.00	11/32	4.75	4.17	0.56	1.13	3/8 NPT	1.25	1/8 x 1/16 x 7/8

### OPERATING CHARACTERISTICS

Model No.	Displ GPR	Slip GPM PSI	Drive Speed RPM	0 psi		500 psi		1000 psi		1500 psi		2000 psi	
				gpm	hp	gpm	hp	gpm	hp	gpm	hp	gpm	hp
705	.0003	.00013	1725	.50	.11	.43	.25	.37	.40	.31	.55	--	--
710	.0006	.0002	1725	1.00	.14	.90	.45	.80	.77	.70	1.12	.60	1.45
715	.0009	.0002	1725	1.50	.21	1.40	.65	1.30	1.30	1.20	1.68	1.10	2.20
720	.0012	.0002	1725	2.00	.25	1.90	.85	1.80	1.50	1.70	2.22	1.60	2.90
730	.0018	.0003	1725	3.00	.31	2.85	1.15	2.70	2.10	2.55	3.10	--	--
740	.0024	.0003	1725	4.00	.36	3.85	1.47	3.70	2.75	3.63	3.37	--	--
750	.0030	.0004	1725	5.00	.45	4.80	1.90	4.60	3.55	--	--	--	--

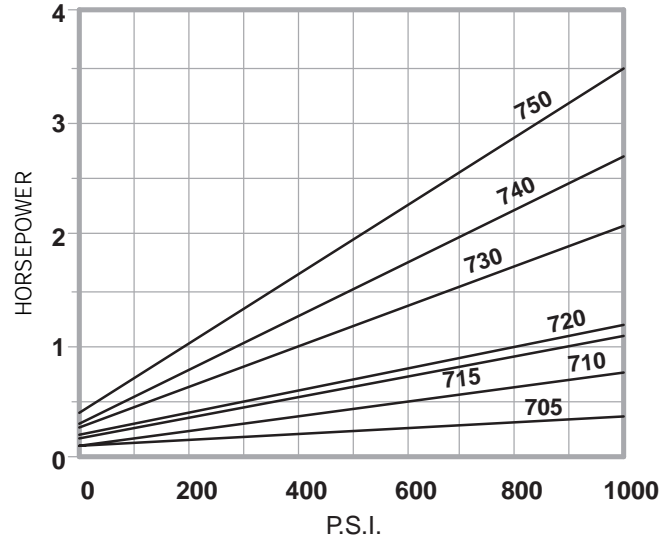
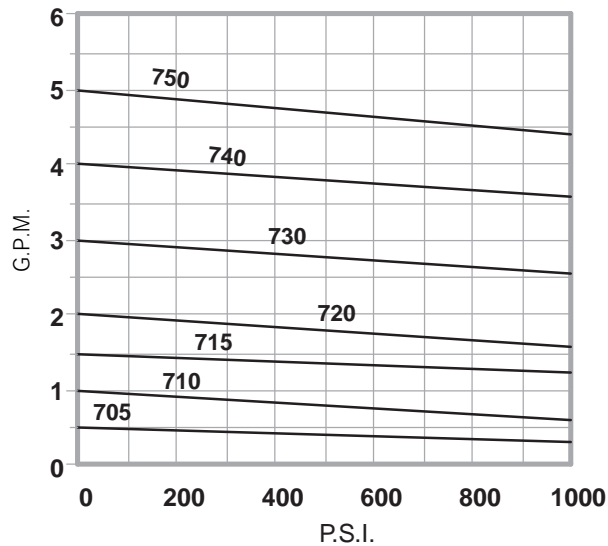
\* Delivery and input horsepower are based on liquid viscosity of 100 ssu.

BSM Pump Corp. - MANUFACTURING SOLUTIONS TO PUMPING PROBLEMS FOR OVER 100 YEARS.

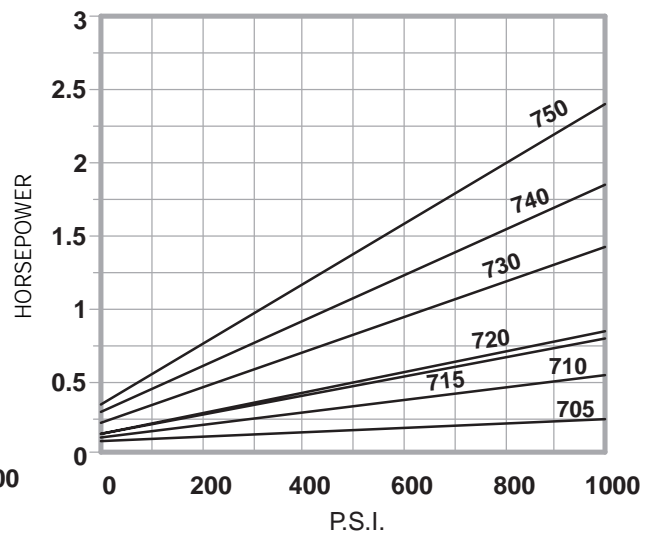
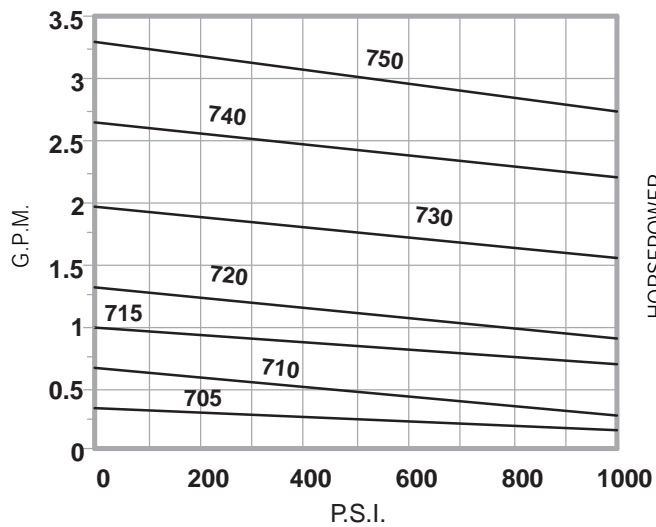
# BSM ROTARY GEAR PUMPS

## 700-SERIES

OPERATING CHARACTERISTICS  
1725 RPM -70 SSU LIQUID



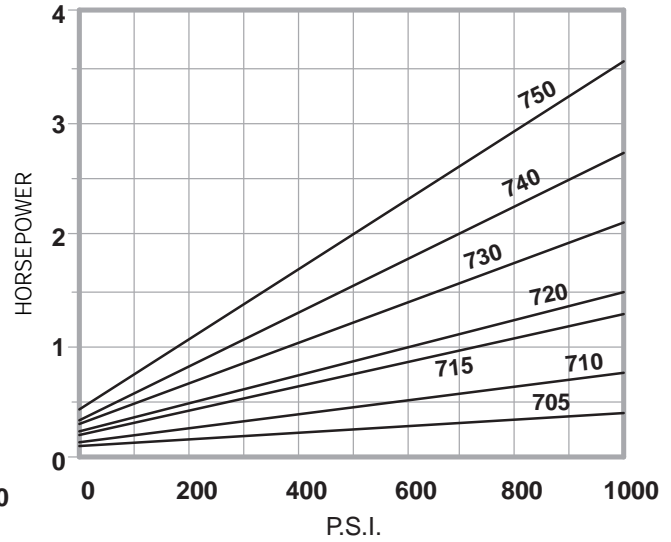
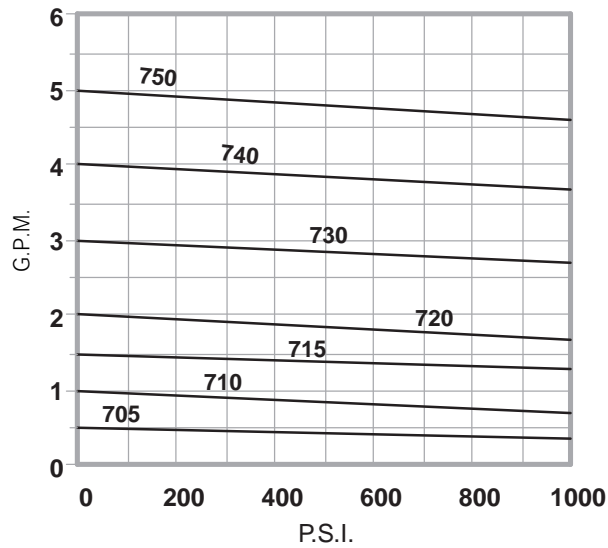
OPERATING CHARACTERISTICS  
1140 RPM -70 SSU LIQUID



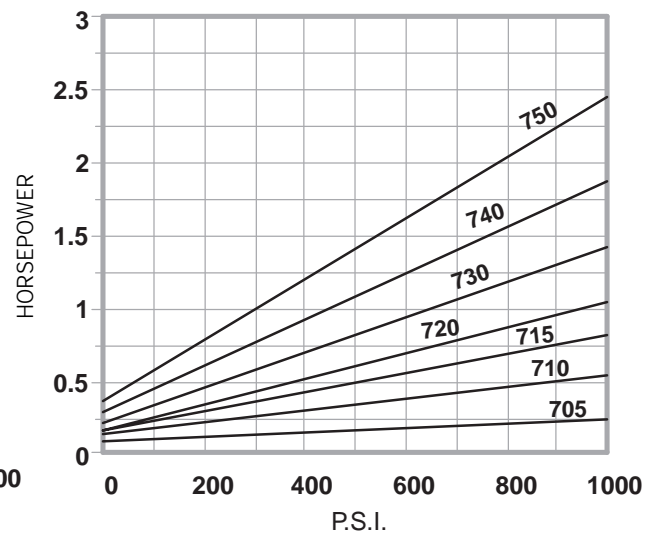
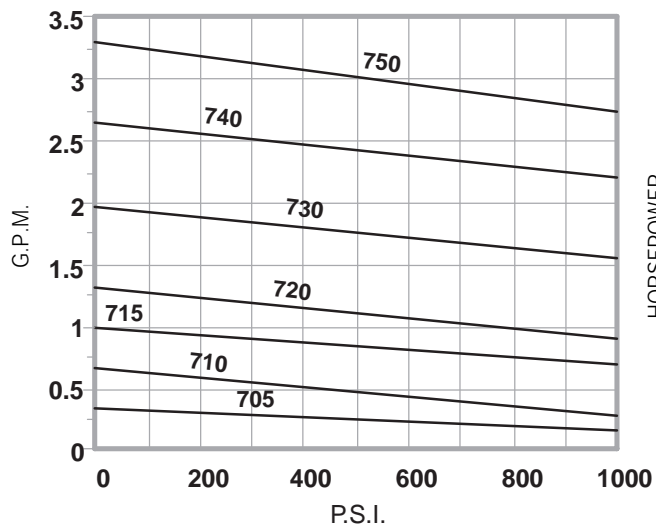
# BSM ROTARY GEAR PUMPS

## 700-SERIES

OPERATING CHARACTERISTICS  
1725 RPM -100 SSU LIQUID



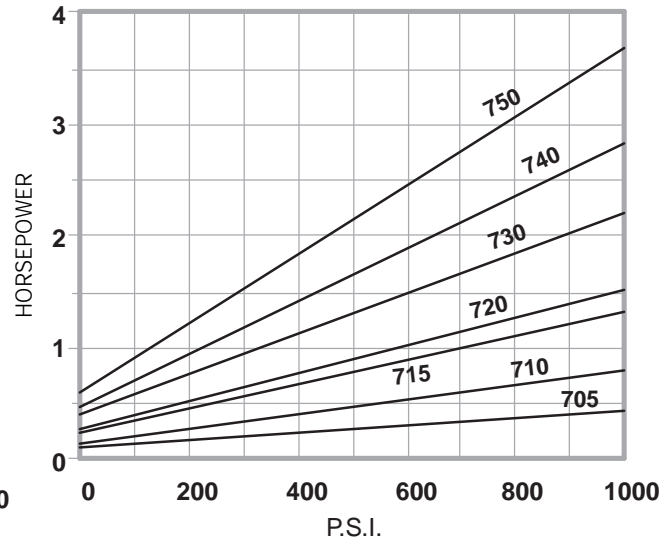
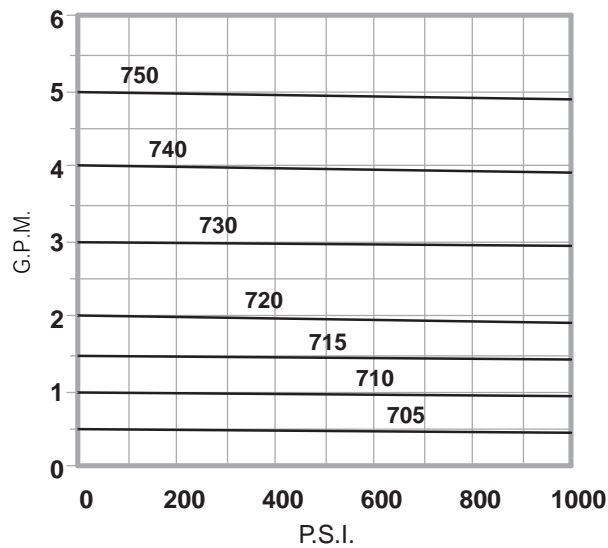
OPERATING CHARACTERISTICS  
1140 RPM -100 SSU LIQUID



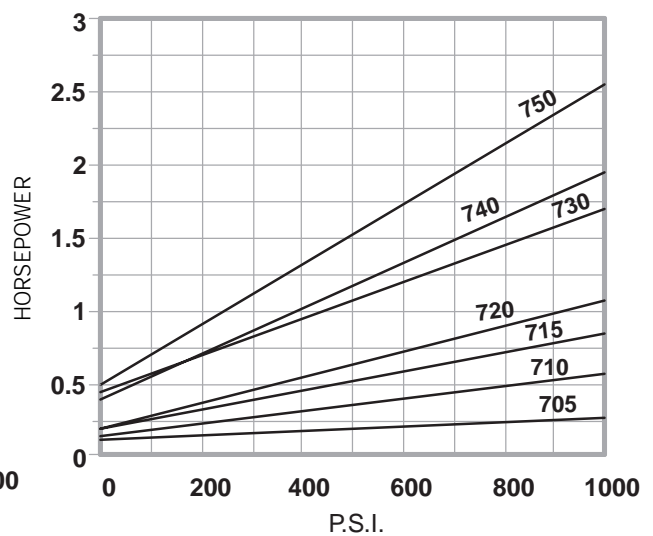
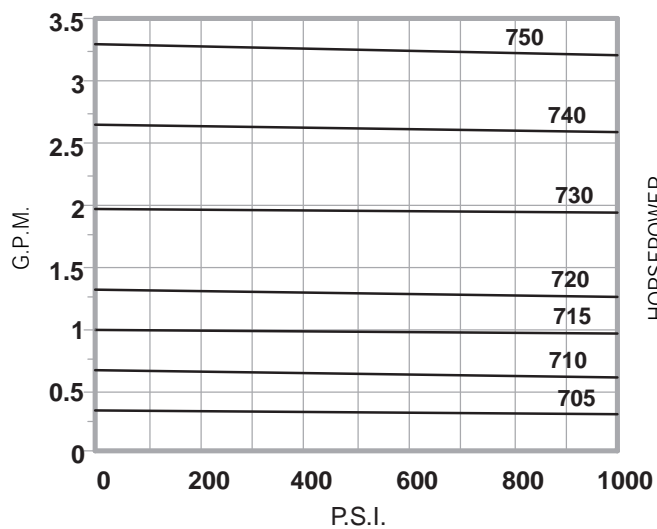
# BSM ROTARY GEAR PUMPS

## 700-SERIES

OPERATING CHARACTERISTICS  
1725 RPM -500 SSU LIQUID



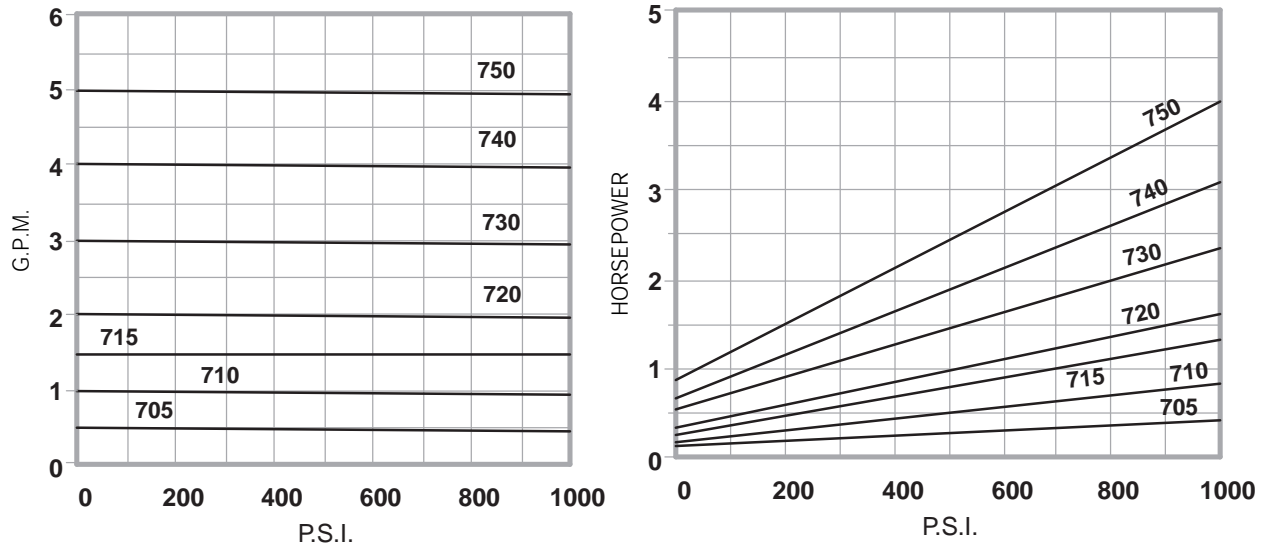
OPERATING CHARACTERISTICS  
1140 RPM -500 SSU LIQUID



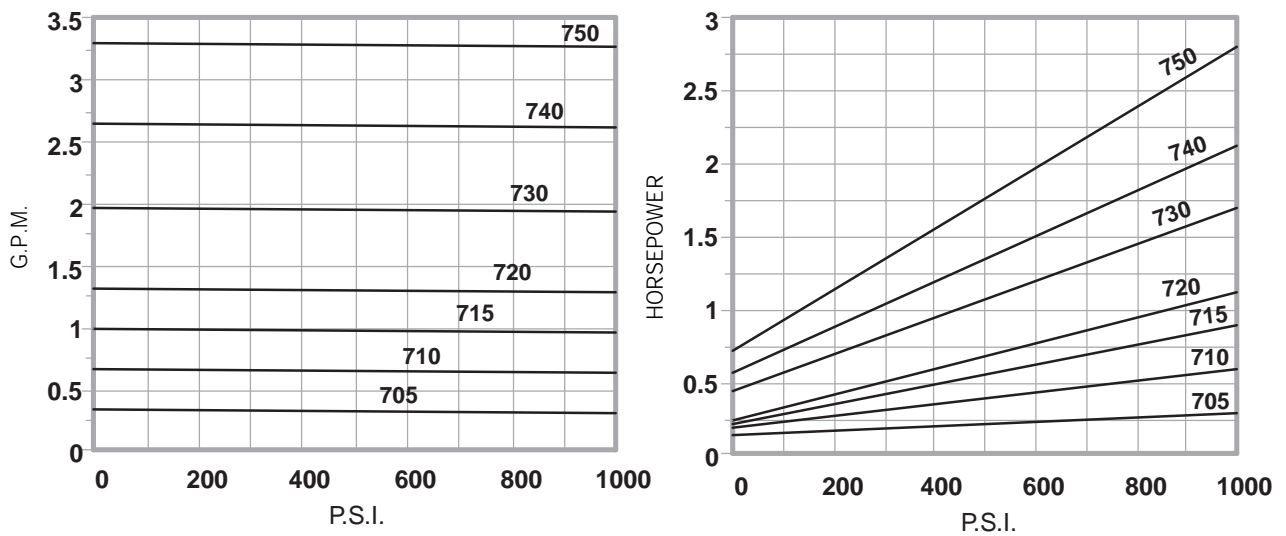
# BSM ROTARY GEAR PUMPS

## 700-SERIES

OPERATING CHARACTERISTICS  
1725 RPM - 1,000 SSU LIQUID



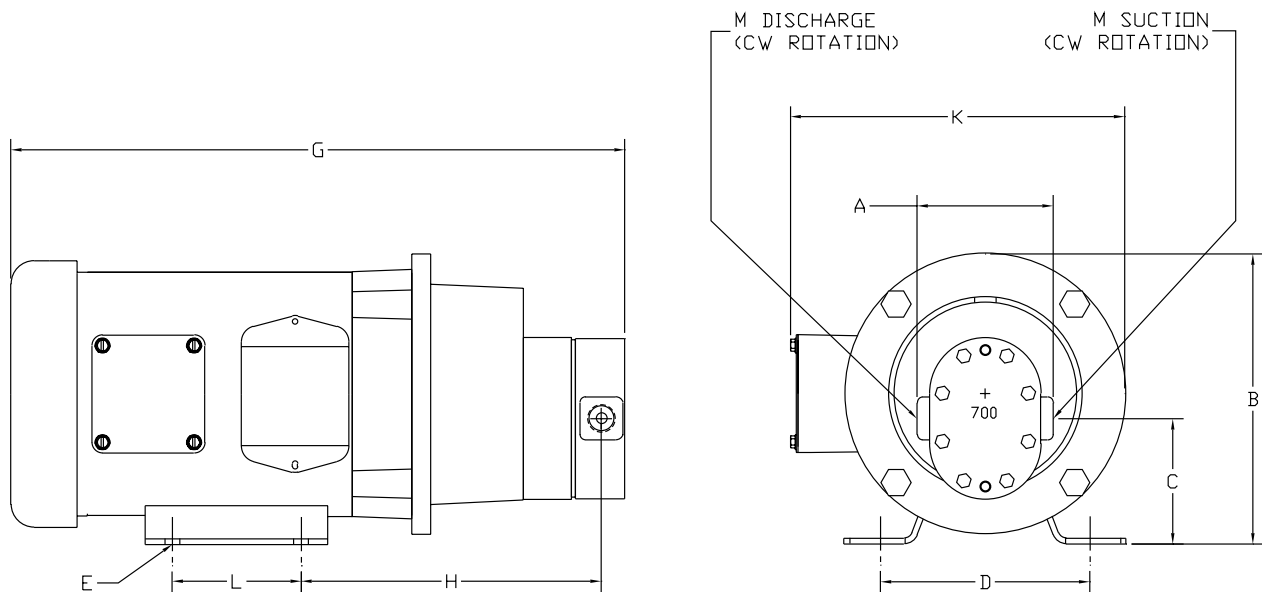
OPERATING CHARACTERISTICS  
1140 RPM - 1,000 SSU LIQUID



# BSM ROTARY GEAR PUMPS

## 700-SERIES MOTOR DRIVEN ROTARY GEAR PUMPS

BSM 700 Series pumps are available direct coupled to a Nema C-Face foot mounted motor. This assembly is the same as the A Drive, except it utilizes a shorter adapter bracket resulting in a more compact assembly. As with all A-Drive assemblies, this method of coupling the pump to a motor ensures accurate alignment and requires less space and is less costly than a pump and motor mounted on a baseplate. BSM 700-Series Motor Driven Rotary Gear Pumps are available in motor speeds of 860, 1140 and 1725 rpm with capacities to 5.0 gpm and pressures to 2000 psi.



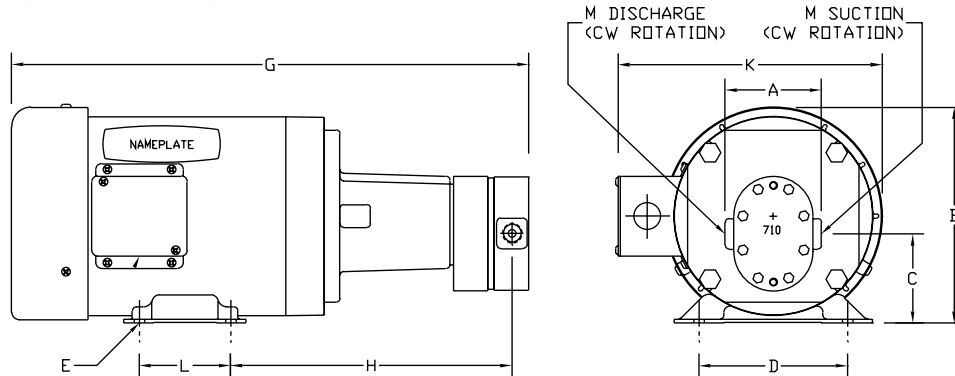
### DIMENSIONS (INCHES)

Model No.	Motor Frame	A	B	C	D	E	G	H	K	L	M
<b>705-SB</b>	56C	3.16	6.88	2.92	4.88	0.34	14.28	6.98	8.31	3.00	3/8
<b>710-SB</b>	56C	3.16	6.88	2.92	4.88	0.34	14.38	7.08	8.31	3.00	3/8
<b>715-SB</b>	56C	3.16	6.88	2.92	4.88	0.34	14.48	7.18	8.31	3.00	3/8
<b>720-SB</b>	56C	3.16	6.88	2.92	4.88	0.34	14.58	7.28	8.31	3.00	3/8
<b>730-SB</b>	56C	3.16	6.88	2.92	4.88	0.34	14.78	7.48	8.31	3.00	3/8
<b>740-SB</b>	56C	3.16	6.88	2.92	4.88	0.34	14.98	7.68	8.31	3.00	3/8
<b>750-SB</b>	56C	3.16	6.88	2.92	4.88	0.34	15.18	7.88	8.31	3.00	3/8

# BSM ROTARY GEAR PUMPS

## 700-SERIES MOTOR DRIVEN ROTARY GEAR PUMPS (A-DRIVE)

BSM 700-Series pumps are available direct coupled to a Nema C-Face foot mounted motor. This assembly, referred to as an A-Drive, ensures accurate alignment and requires less space and is less costly than a pump and motor mounted on a baseplate. BSM 700-Series Motor Driven Rotary Gear Pumps are available in motor speeds of 860, 1140 and 1725 rpm with capacities to 5.0 gpm and pressures to 2000 psi.



### DIMENSIONS (INCHES)

Model No.	Motor Frame	A	B	C	D	E	G	H	K	L	M
705-A	56C	3.16	6.88	2.92	4.88	0.34	16.86	9.13	8.31	3.00	3/8
710-A	56C	3.16	6.88	2.92	4.88	0.34	16.96	9.23	8.31	3.00	3/8
	145TC	3.16	6.88	2.92	5.50	0.34	18.68	9.54	8.56	5.00	3/8
715-A	56C	3.16	6.88	2.92	4.88	0.34	17.06	9.33	8.31	3.00	3/8
	145TC	3.16	6.88	2.92	5.50	0.34	18.78	9.64	8.56	5.00	3/8
	182TC	3.16	8.69	3.92	7.50	0.41	20.31	10.83	9.81	4.50	3/8
	184TC	3.16	8.69	3.92	7.50	0.41	20.31	10.83	9.81	5.50	3/8
720-A	56C	3.16	6.88	2.92	4.88	0.34	17.16	9.43	8.31	3.00	3/8
	145TC	3.16	6.88	2.92	5.50	0.34	18.88	9.74	8.56	5.00	3/8
	182TC	3.16	8.69	3.92	7.50	0.41	20.41	10.93	9.81	4.50	3/8
	184TC	3.16	8.69	3.92	7.50	0.41	20.41	10.93	9.81	5.50	3/8
730-A	56C	3.16	6.88	2.92	4.88	0.34	17.36	9.63	8.31	3.00	3/8
	145TC	3.16	6.88	2.92	5.50	0.34	19.08	9.91	8.56	5.00	3/8
	182TC	3.16	8.69	3.92	7.50	0.41	20.61	11.13	9.81	4.50	3/8
	184TC	3.16	8.69	3.92	7.50	0.41	20.61	11.13	9.81	5.50	3/8
	213TC	3.16	10.25	4.67	8.50	0.41	22.52	12.01	12.16	5.50	3/8
740-A	56C	3.16	6.88	2.92	4.88	0.34	17.56	9.83	8.31	3.00	3/8
	145TC	3.16	6.88	2.92	5.50	0.34	19.28	10.14	8.56	5.00	3/8
	182TC	3.16	8.69	3.92	7.50	0.41	20.81	11.33	9.81	4.50	3/8
	184TC	3.16	8.69	3.92	7.50	0.41	20.81	11.33	9.81	5.50	3/8
	213TC	3.16	10.25	4.67	8.50	0.41	22.72	12.21	12.16	5.50	3/8
750-A	56C	3.16	6.88	2.92	4.88	0.34	17.76	10.03	8.31	3.00	3/8
	145TC	3.16	6.88	2.92	5.50	0.34	19.48	10.34	8.56	5.00	3/8
	182TC	3.16	8.69	3.92	7.50	0.41	21.01	11.53	9.81	4.50	3/8
	184TC	3.16	8.69	3.92	7.50	0.41	21.01	11.53	9.81	5.50	3/8
	213TC	3.16	10.25	4.67	8.50	0.41	22.92	12.41	12.16	5.50	3/8