

BSM ROTARY GEAR PUMPS

ACCESSORIES

Adapter Brackets For Motor Driven Rotary Gear Pumps (A-Drive)

SELECTION GUIDE

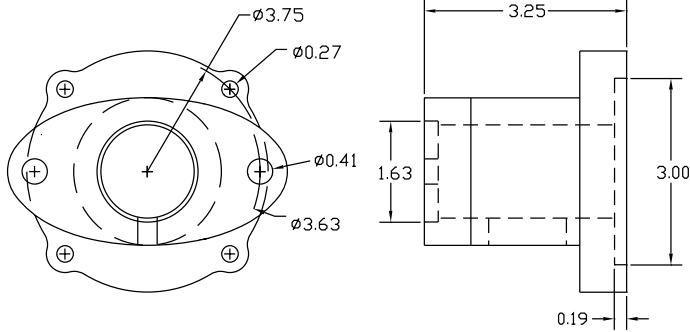
Pump Model	C Face Motor Frame	Adapter Bracket
00	42C	713-00-160-1
	56C, 145TC	713-00-160
1, 2, 3 & 4	48C, 56C, 143TC, 145TC, 182C, 184C, 187AC	713-20-160
	182TC, 184TC, 213TC, 215TC	713-30-160
1S, 2S, 3S, 4S & 5S	48C, 56C, 143TC, 145TC, 182C, 184C, 187AC	713-20-160
	182TC, 184TC, 213TC, 215TC	713-30-160
1SST, 2SST, 3SST, 4SST & 5SST	48C, 56C, 143TC, 145TC, 182C, 184C, 187AC	713-20-160
	182TC, 184TC, 213TC, 215TC	713-30-160
21, 22, 23 & 24	48C, 56C, 143TC, 145TC, 182C, 184C, 187AC	713-20-160
	182TC, 184TC, 213TC, 215TC	713-30-160
53 & 55	48C, 56C, 143TC, 145TC, 182C, 184C, 187AC	713-20-160
	182TC, 184TC, 213TC, 215TC	713-30-160
502, 504, 507 & 511	56C, 143TC, 145TC,	713-507-160
	182TC, 184TC, 213C, 213TC, 215C, 215TC	713-511-160
517 & 525	56C, 66C, 143TC & 145TC	713-525-160
517, 525, 537, 547, 557 & 567	182TC, 184TC, 213TC, 215TC	713-517-160
705, 710, 715, 720, 730, 740 & 750	56C	713-700-160
	182TC, 184TC, & 213TC	713-700-260

BSM ROTARY GEAR PUMPS

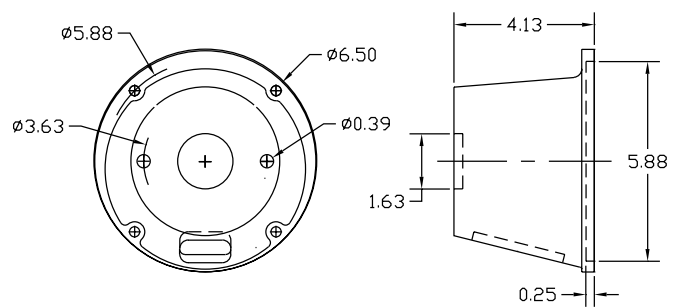
ACCESSORIES

Adapter Brackets For Motor Driven Rotary Gear Pumps

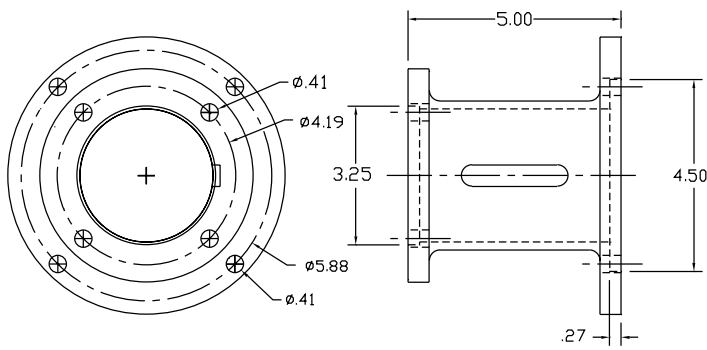
DIMENSIONAL DATA (INCHES)



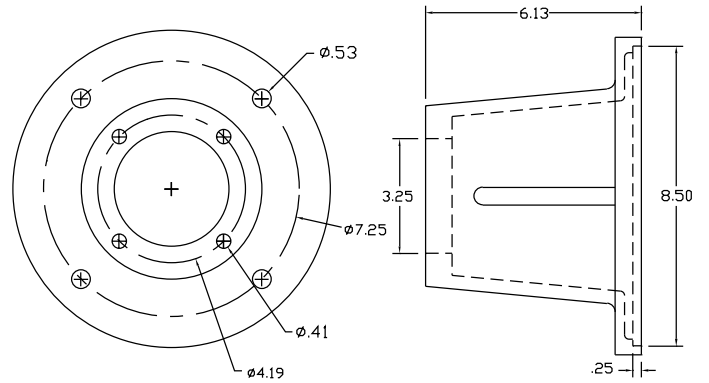
BRACKET MODEL NO. 713-00-160-1



BRACKET MODEL NO. 713-00-160



BRACKET MODEL NO. 713-20-160-2



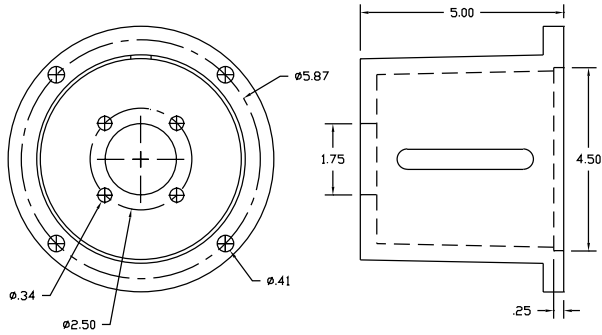
BRACKET MODEL NO. 713-30-160-1

BSM ROTARY GEAR PUMPS

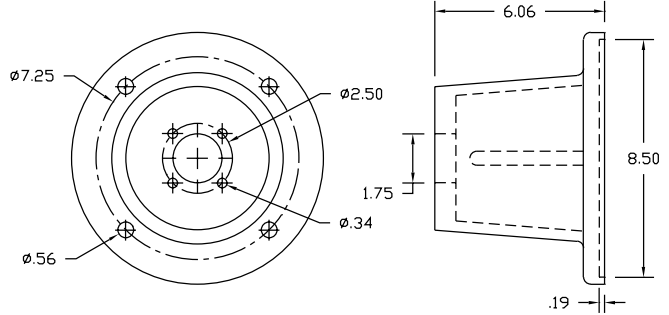
ACCESSORIES

Adapter Brackets For Motor Driven Rotary Gear Pumps

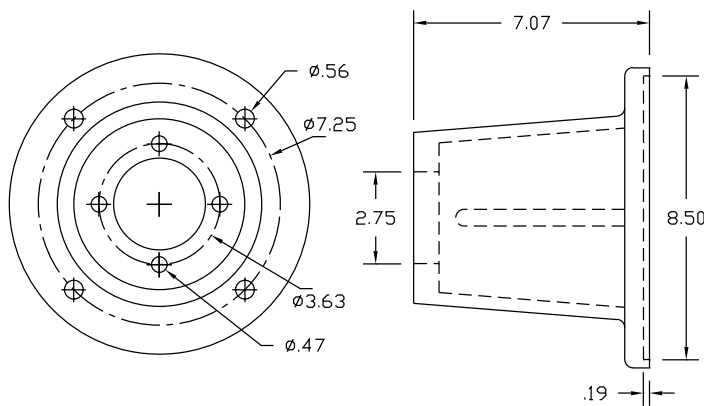
DIMENSIONAL DATA (INCHES)



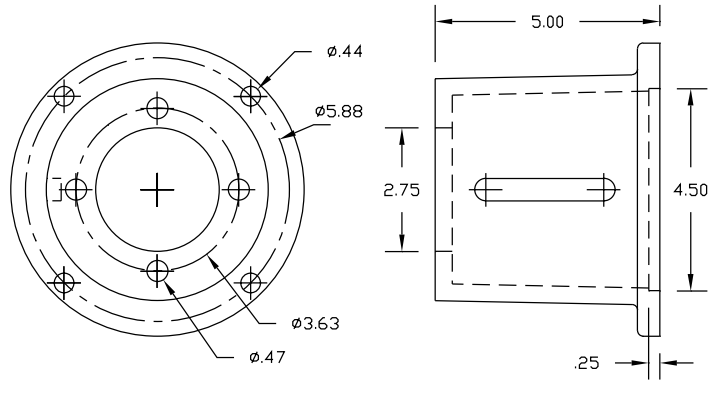
BRACKET MODEL NO. 713-507-160



BRACKET MODEL NO. 713-511-160



BRACKET MODEL NO. 713-517-160



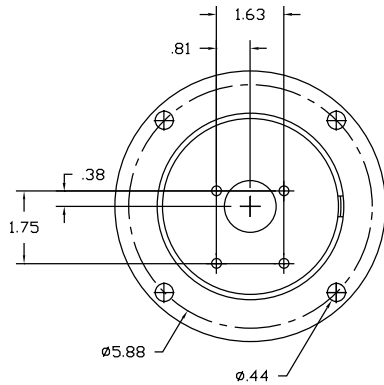
BRACKET MODEL NO. 713-525-160

BSM ROTARY GEAR PUMPS

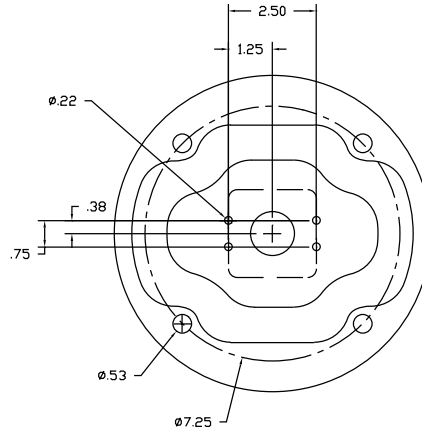
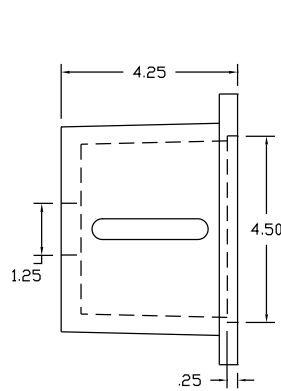
ACCESSORIES

Adapter Brackets For Motor Driven Rotary Gear Pumps

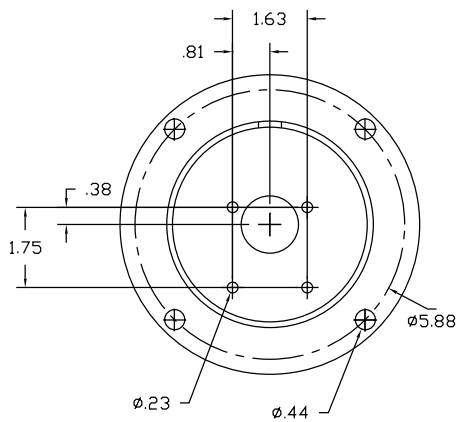
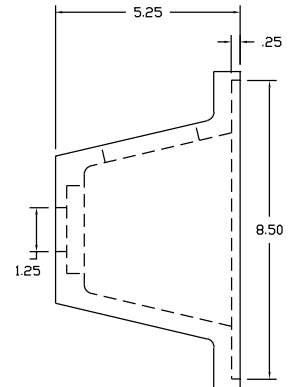
DIMENSIONAL DATA (INCHES)



BRACKET MODEL NO. 213-700-160

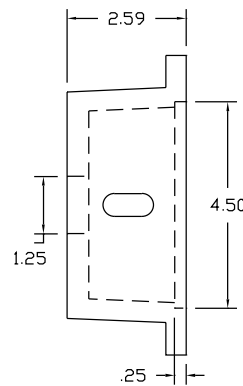


BRACKET MODEL NO. 213-700-260



BRACKET MODEL NO. 213-700-060*

***Note:** Use of this bracket requires that the motor and or pump shaft be modified. Contact the factory for assistance.



BSM ROTARY GEAR PUMPS

ACCESSORIES Gear Sets & Repair Kits

Pump Model Number	Gear Set Ordering Number	Repair Kit Ordering Number
00	713-9000-205	713-9000-280
1 & 11	713-9001-105	713-9001-280
2 & 12	713-9002-105	713-9002-280
3 & 13	713-9003-105	713-9003-280
4	713-9004-105	713-9004-280
1S	713-9010-205	713-9010-280
2S	713-9020-205	713-9020-280
3S	713-9030-205	713-9030-280
4S	713-9040-205	713-9040-280
5S	713-9050-205	713-9050-280
6S	713-9060-205	713-9060-280
8S	713-9080-205	713-9080-280
10S	713-9100-205	713-9100-280
12S	713-9120-205	713-9120-280
14S	713-9140-205	713-9140-280
21	713-9021-405	713-9021-280
22	713-9022-405	713-9022-280
23	713-9023-405	713-9023-280
24	713-9024-405	713-9024-280
53	713-9053-205	713-9053-280
55	713-9055-205	713-9055-280
507	713-9507-305	713-9507-280
511	713-9511-305	713-9511-280
517	713-9517-305	713-9517-280
525	713-9525-305	713-9525-280
537	713-9537-305	713-9537-280
547	713-9547-305	713-9547-280
557	713-9557-305	713-9557-280
567	713-9567-305	713-9567-280
1SST	713-9010-205-SS	713-9010-280-SS
2SST	713-9020-205-SS	713-9020-280-SS
3SST	713-9030-205-SS	713-9030-280-SS
4SST	713-9040-205-SS	713-9040-280-SS
5SST	713-9050-205-SS	713-9050-280-SS

Note: Each repair kit consist of the following components (1) housing; (1) gear set; (4) bearings; and(1) mechanical seal or (1) set of compression packing.

Renewable Bearings

Pump Model Number	Bearing Ordering Number
1, 11, & 1S	713-9001-107 (set of 4)
2, 12, & 2S	713-9002-107 (set of 4)
3, 4, 13, 3S, 4S, & 5S	713-9003-107 (set of 4)
53, & 55	423-1646 (3) 423-1647 (1)
6S	423-11 (4)
8S, & 10S	423-9 (4)
12S, & 14S	423-10 (4)
507, 508, 511, & 512	713-9507-107 (set of 4)
517, 518, 525, & 526	713-9517-107 (set of 4)
537, 538, 547, 557, 558, & 567	713-9537-107 (set of 4)
700 Series	422-39 (4)
1SST	213-1-108 (4)
2SST	213-2-108 (4)
3SST, 4SST, & 5SST	213-2-108 (4)

BSM Pump Corp. - MANUFACTURING SOLUTIONS TO PUMPING PROBLEMS FOR OVER 100 YEARS.

BSM ROTARY GEAR PUMPS

ACCESSORIES

Mechanical Seals

Pump Model Number	Mechanical Seal Ordering Number
1, & 1S	713-9010-270
2, & 2S	713-9020-270
3, 4, 3S, 4S, & 5S	713-9030-270
6S	466-137-2
8S, 10S	466-292
12S, 14S	466-143-2
502, 504, 507, 508, 511, & 512	713-9507-270
517, 518, 525, & 526	713-9517-270
537, 538, 547, 557, 558, & 567	713-9537-270
1SST	713-9010-270SST
2SST	713-9020-270SST
3SST, 4SST, 5SST	713-9030-270SST

Note: Mechanical seals available with different elastomers, contact the factory for assistance

Lip Seals

Pump Model Number	Lip Seal Ordering Number
00	466-3948
700 series and PFG series	466-279 (Buna N)
700 series and PFG series	215-10118 (Viton)

Note: Lip Seals are available with different elastomers, contact the factory for assistance.

Compression Packing

Pump Model Number	Packing Kit Ordering Number
1, 1S, 11, 21, & 1SST	466-3161-4
	466-192 (Teflon)
2, 2S, 12, 22, & 2SST	466-3162-4
	466-193 (Teflon)
3, 3S, 4S, 5S, 13, 23, 24, 3SST, 4SST, 5SST	466-3163-4
	466-194 (Teflon)

BSM ROTARY GEAR PUMPS

ACCESSORIES

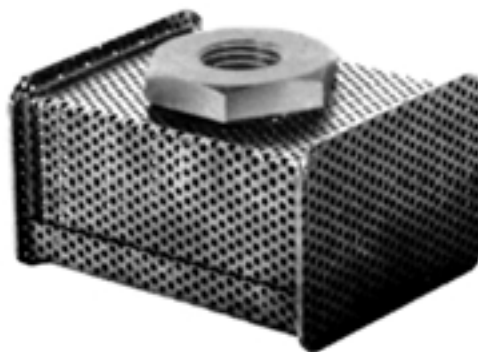
External Relief Valves



Size	A	B	C	D	E	F	G	H	Order Number
1/4	1/4	1	1-1/4	1/4	1	15/16	1-7/16	3-5/8	713-9001-20
3/8	3/8	1-1/4	1-7/16	3/8	1-1/4	1-1/8	1-3/4	4-3/16	713-9001-21
1/2	1/2	1-3/8	1-9/16	1/2	1-3/8	1-1/4	1-15/16	4-9/16	713-9001-22
3/4	3/4	1-5/8	2	3/4	1-5/8	1-1/2	2-5/16	5-3/16	713-9001-23
1	1	2	2-3/4	2	2	2-1/4	3-9/16	7-11/16	713-9001-24

Note: The 1/4 to 3/4 relief valves are suitable for pressure settings up to 100 psi. Higher pressure settings are possible by changing the spring. The 1" relief valve is suitable for pressure settings up to 200 psi. Contact the factory for assistance.

Strainers



Strainer No.	Size (inches)	Pipe Connection (inches)	Ordering Number
8	3-1/8 x 2-3/8 x 1-5/8	1/4	713-9008-10
11	4-5/8 x 3-1/8 x 1-7/8	3/8	713-9001-11
12	6-1/8 x 3-5/8 x 2-3/8	1/2	713-9002-12
13	7-1/8 x 4-5/8 x 3-1/8	3/4	713-9003-13